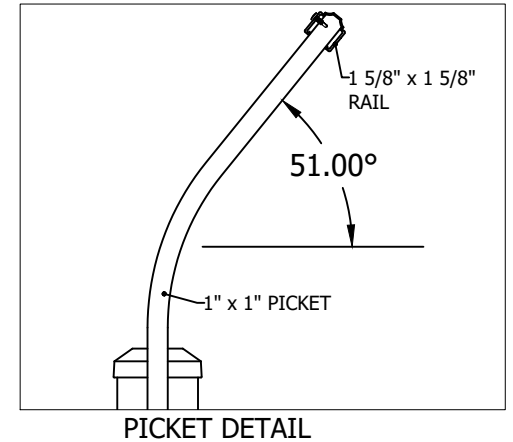
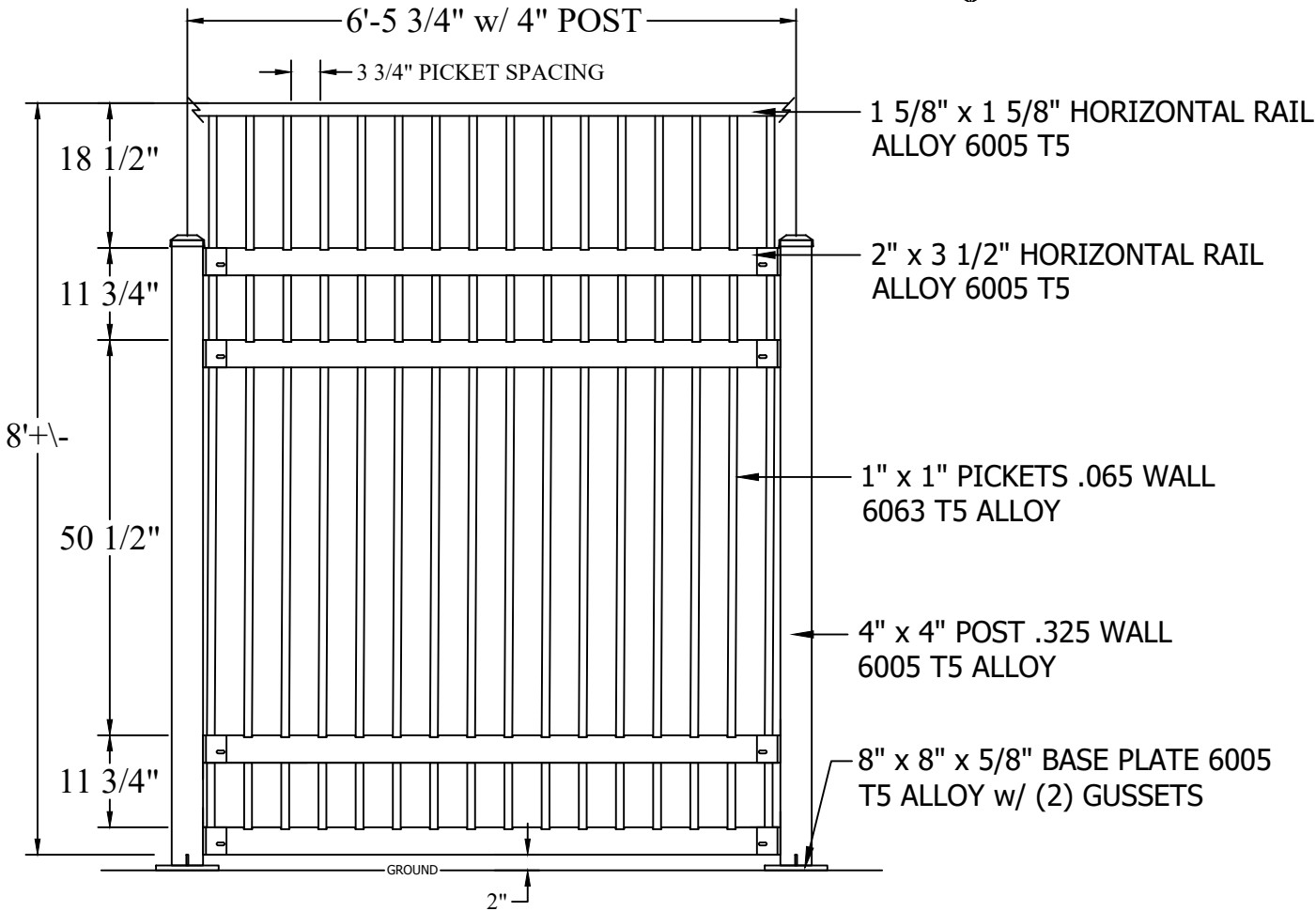
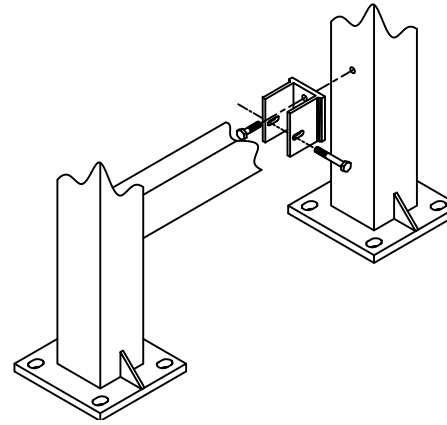


**NOTES:**

- 1) PICKETS SCREWED ONE SIDE ONLY
- 2) PAINT: POWDER COATED (AAMA 2604 COMPLIANT)
- 3) # OF PICKETS AND EXACT SPACING VARIES WITH OPENING SIZE
- 4) BASE PLATES SHOWN WITH GUSSETS.
- 5) CUSTOMER TO FIELD TRIM & INSTALL TOP RAIL.
- 6) BRACKET TO POST WILL GET  $\phi 3/8"$  BOLT.
- 7) RAIL TO BRACKET WILL GET  $\phi 5/16"$  THROUGH BOLT.



NOTE: DRAWING FULL SCALE (ACAD)

THIS DRAWING IS THE PROPERTY OF ELITE FENCE PRODUCTS, INC. IT IS NOT TO BE REPRODUCED, COPIED, OR TRACED IN WHOLE OR PART WITHOUT WRITTEN PERMISSION. SEE PRODUCT SPECIFICATIONS FOR INSTALLATION REQUIREMENTS.

**EFS-66**  
BRIDGEgard

8' HIGH 6' WIDE 4-RAIL FENCE SECTION  
W/ BRIDGE RAILING & BASE PLATES

CONTRACTOR:

COLOR:

PROJECT:

DATE:

PAGE 1 OF 1 MF



50925 RICHARD W. BLVD  
CHESTERFIELD TWP, MI 48051  
WWW.ELITEFENCE.COM  
1-800-783-1331

EFS-66-8H-6W-4R-BRIDGE RAIL-SECTION