

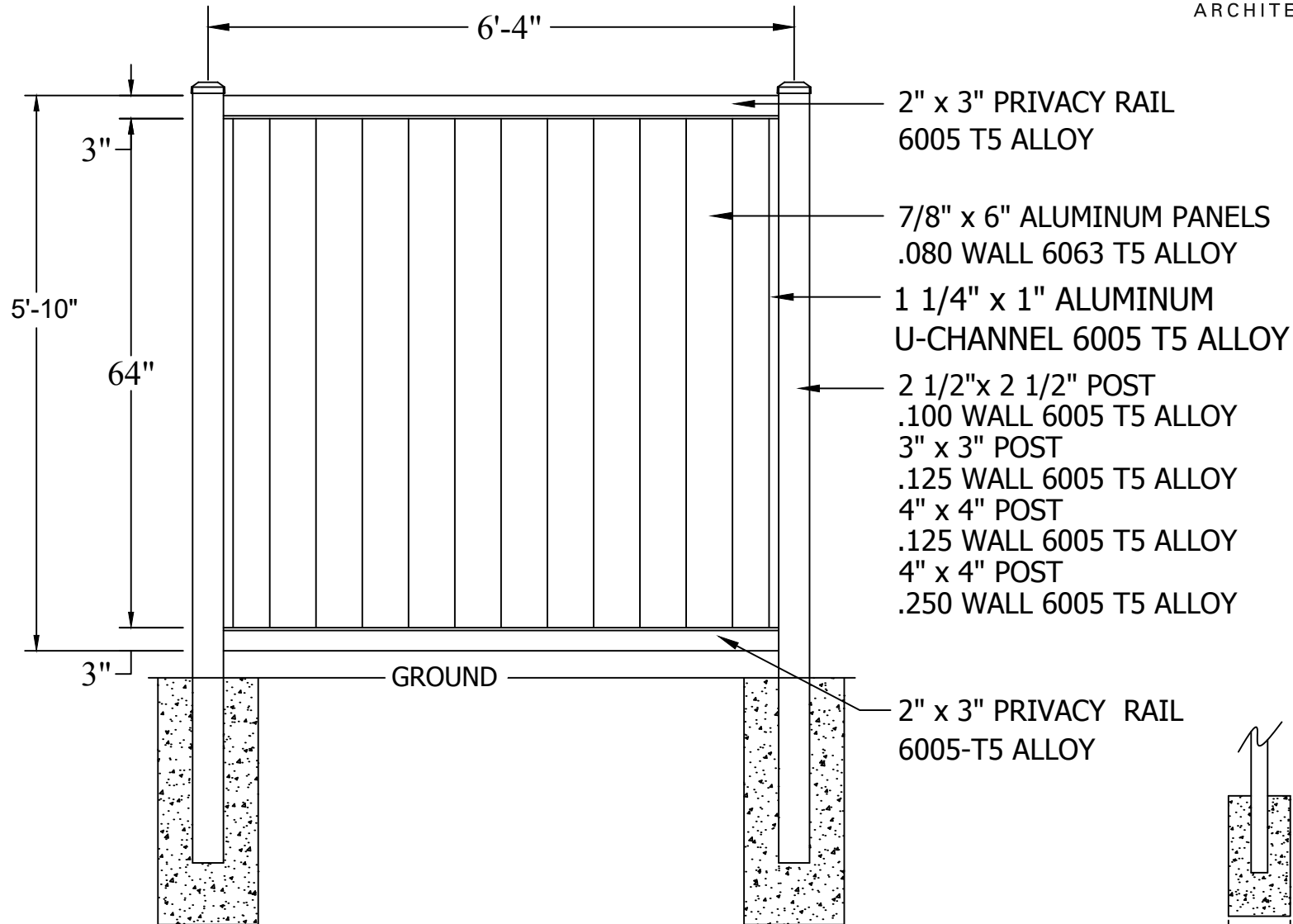
NOTES:

- 1) PAINT: POWDER COATED (AAMA 2604 COMPLIANT)
- 2) # OF IN-FILL PANELS AND EXACT SPACING VARIES WITH OPENING SIZE

ELITE

COREGard™

ARCHITECTURAL PRODUCTS



2" x 3" PRIVACY RAIL
6005 T5 ALLOY

7/8" x 6" ALUMINUM PANELS
.080 WALL 6063 T5 ALLOY

1 1/4" x 1" ALUMINUM
U-CHANNEL 6005 T5 ALLOY

2 1/2" x 2 1/2" POST
.100 WALL 6005 T5 ALLOY
3" x 3" POST
.125 WALL 6005 T5 ALLOY
4" x 4" POST
.125 WALL 6005 T5 ALLOY
4" x 4" POST
.250 WALL 6005 T5 ALLOY

2" x 3" PRIVACY RAIL
6005-T5 ALLOY



CONCRETE FOOTINGS
PLEASE CHECK LOCAL CODE
A ___ X B ___

NOTE: DRAWING FULL SCALE (ACAD)

THIS DRAWING IS THE PROPERTY OF ELITE FENCE PRODUCTS, INC. IT IS NOT TO BE REPRODUCED, COPIED, OR TRACED IN WHOLE OR PART WITHOUT WRITTEN PERMISSION. SEE PRODUCT SPECIFICATIONS FOR INSTALLATION REQUIREMENTS.

PRIVACYGard Aluminum T&G Vertical	6' HIGH x 6' WIDE 2-RAIL SECTION	CONTRACTOR: N/A	COLOR:		50925 RICHARD W. BLVD CHESTERFIELD TWP. MI 48051 WWW.ELITEFENCE.COM 1-800-783-1331
	PAGE 1 of 1 MF	PROJECT: N/A	DATE: 2/12/2026		

ELITE PRIVACY-6H-6W-2R-SECTION