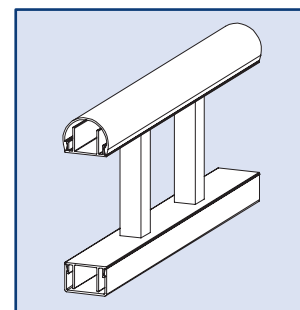




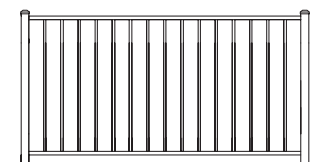
LEGACY 158 - ALUMINUM RAILING SYSTEMS

The **Elite LEGACY Aluminum 1-5/8" Railing System** delivers the perfect combination of style and strength. Crafted from high-quality aluminum and powder-coated to the highest standards, it provides long-lasting durability with virtually no upkeep. It will not rust, warp, crack, or require painting, and it stands up beautifully to the outdoor elements. The clean, modern design complements any property. The panels are pre-assembled, making installation easy and cost-effective. LEGACY railing systems are backed by a limited lifetime warranty.

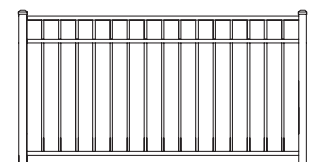


1-5/8" Round Top
 1-5/8" x 1-1/4"

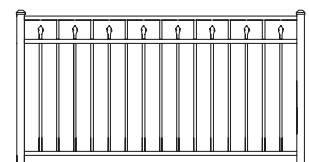
LEGACY 1-5/8" Round Top Styles:



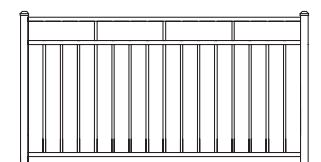
EFR-20 2-Rail



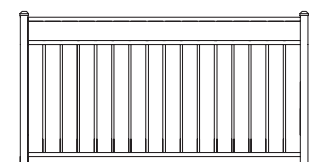
EFR-20 3-Rail



EFR-25

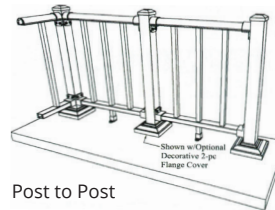


EFR-40

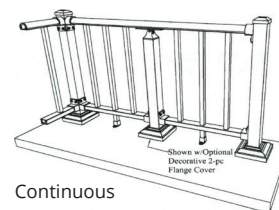


EFR-50
 (Maximum 5' Width)

Available in Post to Post or Continuous



Post to Post



Continuous



Buy American, Be American™



1.800.783.1331

www.EliteFence.com



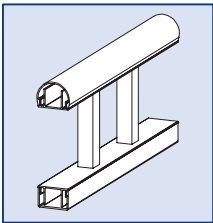
LEGACY 158 - ALUMINUM RAILING SYSTEMS

LEGACY 1-5/8" Specs:

Width:	2', 4' and 6' Panels
Heights:	3' (36") and 3-1/2' (42")
Top Rail:	1-5/8" x 1-1/4"
Bottom Rail:	1-1/2" x 1"
Posts:	2" x 2" x .125 Wall Only 2-1/2" x 2-1/2" x .100 Wall 3" x 3" x .125 Wall 4" x 4" x .125/.250 Wall 6" x 6" x .125/.250 Wall
Pickets:	3/4" x 3/4" x .050 Wall 3/4" Round .065 Wall
Picket Spacing:	3-3/4"
Min. Strength:	35,000 psi
Alum. Alloy:	6005-T5 Alloy (Rails & Posts)

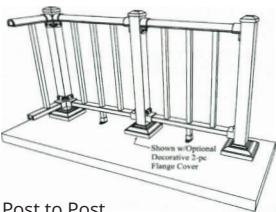
Matching Walk and Drive Gates are also available.

LEGACY 1-5/8" Profiles:

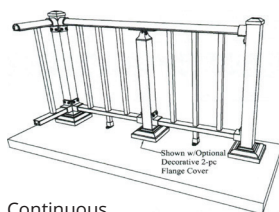


1-5/8" Round Top
 1-5/8" x 1-1/4"

Available Post to Post and Continuous Top Cover



Post to Post



Continuous

LEGACY Colors:

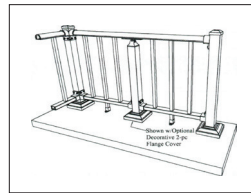
	Textured (Matte) Black		Black		Beige**
	Textured (Matte) White		White		Hartford Green**
	Textured (Matte) Quaker Bronze		Quaker Bronze		Walnut Brown**
	Textured (Matte) Sandstone		Sandstone**		

**These colors have extended lead times

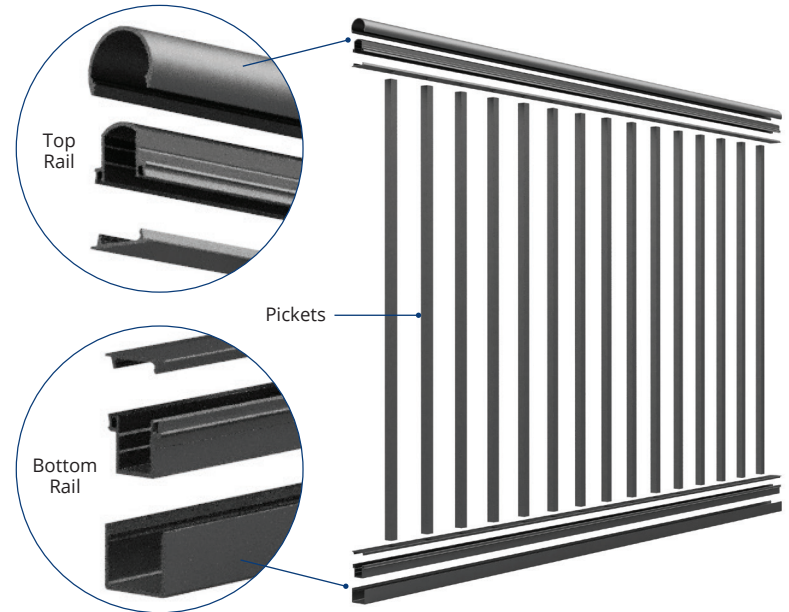
Colors shown are simulated and may vary.

LEGACY Resources:

Specifications, Drawings, Testing/Engineering, Brochure and Warranty



LEGACY 1-5/8" Components:



ECO-FRIENDLY



WIND/WEATHER RESISTANT



POWDER COATED
 AAMA 2604-05



LOW MAINTENANCE



LIMITED LIFETIME WARRANTY



BUY AMERICAN
 BE AMERICAN



50925 Richard W. Blvd. | Chesterfield Twp., MI 48051

Phone (586) 468-4448 | Fax (586) 468-4884

1.800.783.1331 | www.EliteFence.com