

ELITE

COREGard™
ARCHITECTURAL PRODUCTS

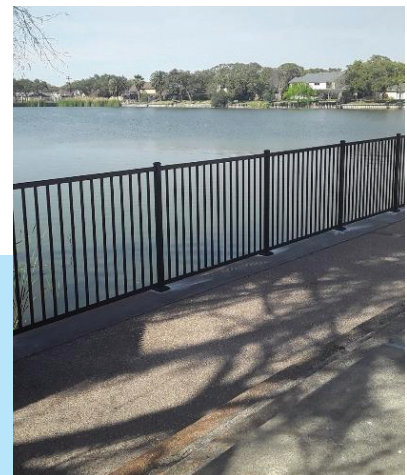


LIFEGard™ - PERIMETER FENCE SYSTEMS

When safety and security of a property matters most, **Elite's LIFEGard Fence Systems** deliver dependable performance. Part of the **Elite COREGard Architectural Products** brand of **Elite Fence Products**, LIFEGard fences are engineered from heavy-duty aluminum components, including rails, pickets, and posts built for demanding environments. LIFEGard fence systems provide perimeter security for pools as well as fall protection for retaining walls and embankments without sacrificing view or aesthetics.

Designed for long-lasting performance, LIFEGard fences resist rusting, warping and cracking, all without the need for painting or ongoing maintenance. LIFEGard fences are powder coated to exceed AAMA 2604 standards for superior durability. LIFEGard security fences are fully tested and backed by a limited lifetime warranty.

- Engineered for **TESTED Performance**.
- Meets or Exceeds **ASTM-BOCA Pool Fence Codes**
- **3-Part Submittals Available**
- Applications: **Commercial & Residential Pools**



Buy American, Be American™ 

1.800.783.1331

www.EliteFence.com



LIFEGard™ PERIMETER FENCE SYSTEMS



LIFEGard Specs*:

Width:	6' & 7' -6 3/4"
Heights:	4'
Horz. Rails:	1-1/8" x 1-3/4"
Min. Strength:	35,000 psi
Alum. Alloy:	6005-T5 Alloy (Rails & Posts)
Posts:	2" x 2" x .080 or .125 Wall 2-1/2" x 2-1/2" x .075 Wall 2-1/2" x 2-1/2" x .100 Wall
Pickets:	3/4" x 3/4" x .050 Wall
Picket Spacing:	3-3/4" or 1-1/2"

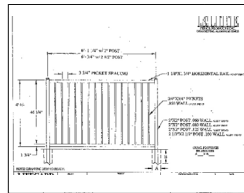
*These are the standard specifications. Custom designs may vary.

LIFEGard Colors:

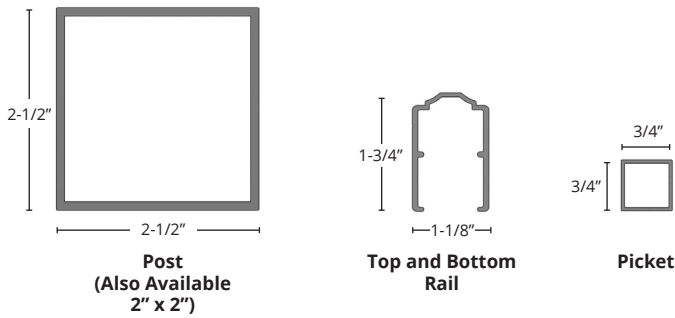
	Textured (Matte) Black		Black		Beige
	Textured (Matte) White		White		Hartford Green
	Textured (Matte) Quaker Bronze		Quaker Bronze		Walnut Brown
	Textured (Matte) Sandstone		Sandstone	Colors shown are simulated and may vary.	

LIFEGard Resources:

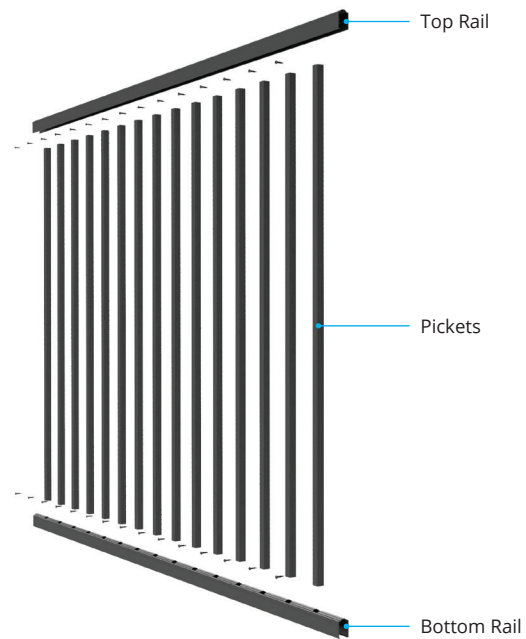
Specifications, Drawings, Testing/Engineering, Brochure and Warranty



LIFEGard Profiles:



LIFEGard Components:



ECO-FRIENDLY



WIND/WEATHER RESISTANT



POWDER COATED AAMA 2604-05



LOW MAINTENANCE



LIMITED LIFETIME WARRANTY



BUY AMERICAN BE AMERICAN



50925 Richard W. Blvd. | Chesterfield Twp., MI 48051

Phone (586) 468-4448 | Fax (586) 468-4884

1.800.783.1331 | www.EliteFence.com

EFR-04B-CTS: REV-A 0326