



PRIVACYGard™ Hybrid

Aluminum and Vinyl Privacy Fence

When privacy matters, choose **Elite PRIVACYGard Systems**, part of the **Elite COREGard Architectural Products** brand of **Elite Fence Products**. Our **HYBRID** privacy solutions are built with a premium aluminum frame and colorful, fade-resistant vinyl boards. These low-maintenance hybrid fences deliver virtually endless color combinations to enhance your outdoor living space. Designed for lasting performance, our aluminum features a minimum strength of 35,000 psi and is powder coated to meet the highest AAMA 2604 standards. Hybrid PRIVACYGard fences are wind-load engineered and tested using plated and in-ground posts, ensuring high-performance, professional-grade construction.

- Variegated Vinyl has a Non-Repeating Woodgrain Pattern
- Perfect Way to Add Lasting Color to Your Property
- Offers FIELD FLEXability with All Based on 7/8"
- ASTM E330 Uniform Wind Load Testing
- ASCE 7-10 Wind Load Analysis
- 3-Part Submittals Available
- Uses Include: Pool Fences and Shared Balcony Dividers



Buy American, Be American™ 

1.800.783.1331

www.EliteFence.com



PRIVACYGard™ Hybrid

Aluminum and Vinyl Privacy Fence



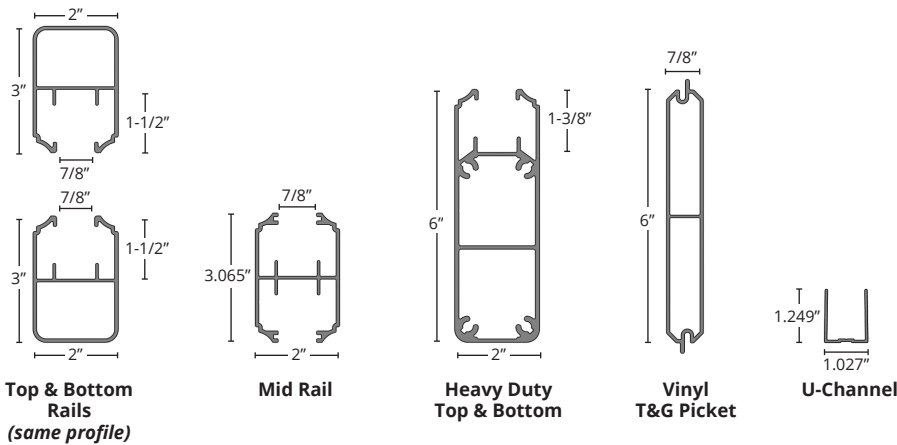
PRIVACYGard Hybrid Specs*:

| | |
|----------------|-----------------------|
| Widths: | 6' and 8' Vertical |
| Heights: | 4', 5' and 6' |
| Min. Strength: | 35,000 psi |
| Alum. Alloy: | 6005-T5 Alloy |
| Posts: | 3" and 4", 0.125 Wall |

Matching Walk and Drive Gates are also available.

*These are the standard specifications. Custom designs may vary.

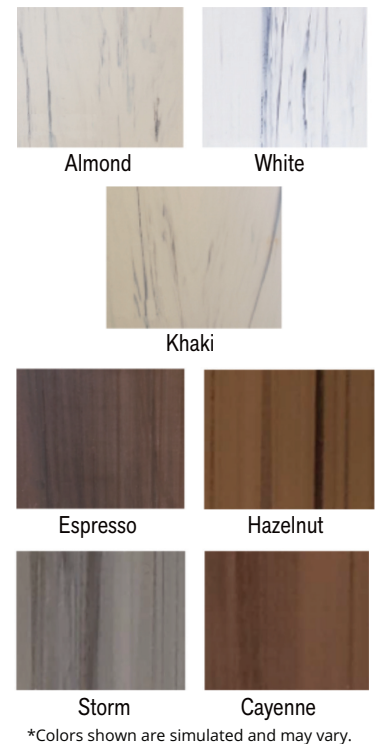
PRIVACYGard Hybrid Profiles:



PRIVACYGard Aluminum Colors:

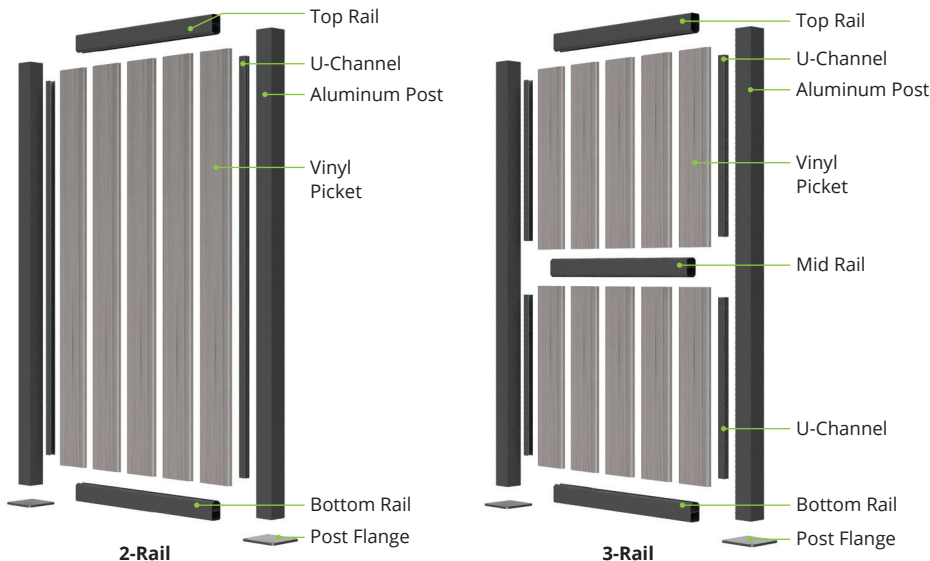
| | | | | | |
|--|--------------------------------|--|---------------|--|----------------|
| | Textured (Matte) Black | | Black | | Beige |
| | Textured (Matte) White | | White | | Hartford Green |
| | Textured (Matte) Quaker Bronze | | Quaker Bronze | | Walnut Brown |
| | Textured (Matte) Sandstone | | Sandstone | Colors shown are simulated and may vary. | |

PRIVACYGard Vinyl Colors:



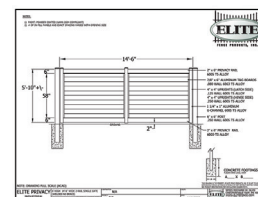
*Colors shown are simulated and may vary.

PRIVACYGard Hybrid Components:



PRIVACYGard Hybrid Resources:

Specifications, Drawings, Testing/Engineering, Brochure and Warranty



ECO-FRIENDLY



WIND/WEATHER RESISTANT



POWDER COATED AAMA 2604-05



LOW MAINTENANCE



LIMITED LIFETIME WARRANTY



BUY AMERICAN BE AMERICAN

50925 Richard W. Blvd. | Chesterfield Twp., MI 48051
Phone (586) 468-4448 | Fax (586) 468-4884

1.800.783.1331 | www.EliteFence.com