

ELITE

COREGard™
ARCHITECTURAL PRODUCTS



PRIVACYGard™ Hybrid Aluminum and Vinyl Privacy Fence

When privacy matters, choose **Elite PRIVACYGard Systems**, part of the **Elite COREGard Architectural Products** brand of **Elite Fence Products**. Our **HYBRID** privacy solutions are built with a premium aluminum frame and colorful, fade-resistant vinyl boards. These low-maintenance hybrid fences deliver virtually endless color combinations to enhance your outdoor living space. Designed for lasting performance, our aluminum features a minimum strength of 35,000 psi and is powder coated to meet the highest AAMA 2604 standards. Hybrid PRIVACYGard fences are tested and engineered using plated and in-ground posts, to ensure high-performance and reliability.

- Variegated Vinyl has a Non-Repeating Woodgrain Pattern
- Perfect Way to Add Lasting Color to Your Property
- Offers FIELD FLEXability with All Based on 7/8"
- Project-specific Stamped Engineering Drawings Available Upon Request. (Fees May Apply)
- 3-Part Submittals Available
- Uses Include: Pool Fences and Shared Balcony Dividers



Buy American, Be American™ 

1.800.783.1331

www.EliteFence.com



PRIVACYGard™ Hybrid

Aluminum and Vinyl Privacy Fence

ELITE

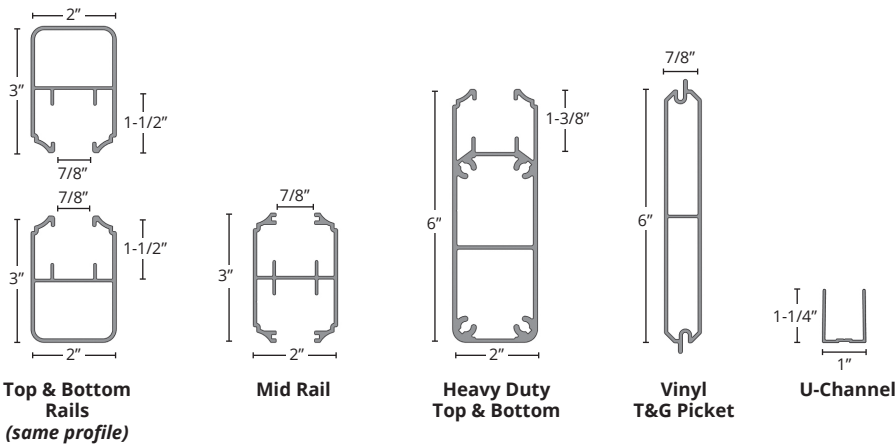
COREGard™
ARCHITECTURAL PRODUCTS

PRIVACYGard Hybrid Specs*:

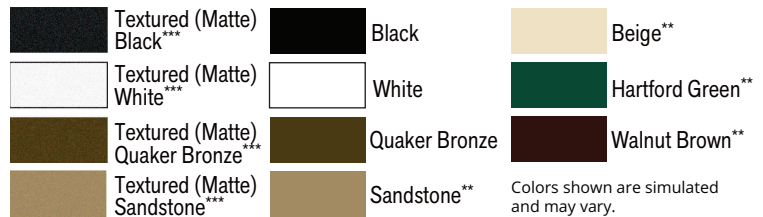
Widths:	6' and 8' Vertical 6' Only for Horizontal
Heights:	4', 5', 6', 7' and 8'
Min. Strength:	35,000 psi
Alum. Alloy:	6005-T5 Alloy
Posts:	3", 4" and 6"

Matching Walk and Drive Gates are also available.
*These are the standard specifications. Custom designs may vary.

PRIVACYGard Hybrid Profiles:

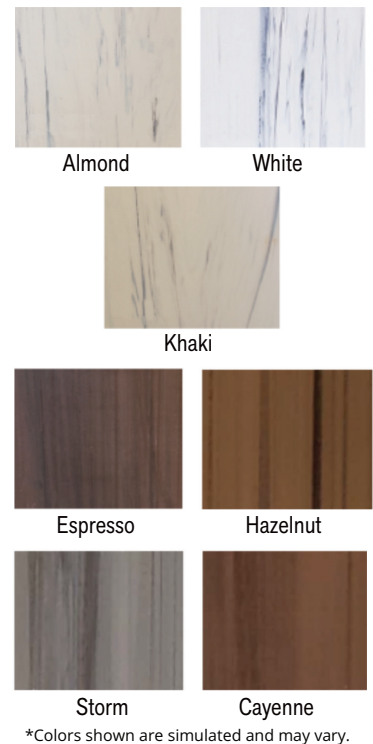


PRIVACYGard Aluminum Colors:

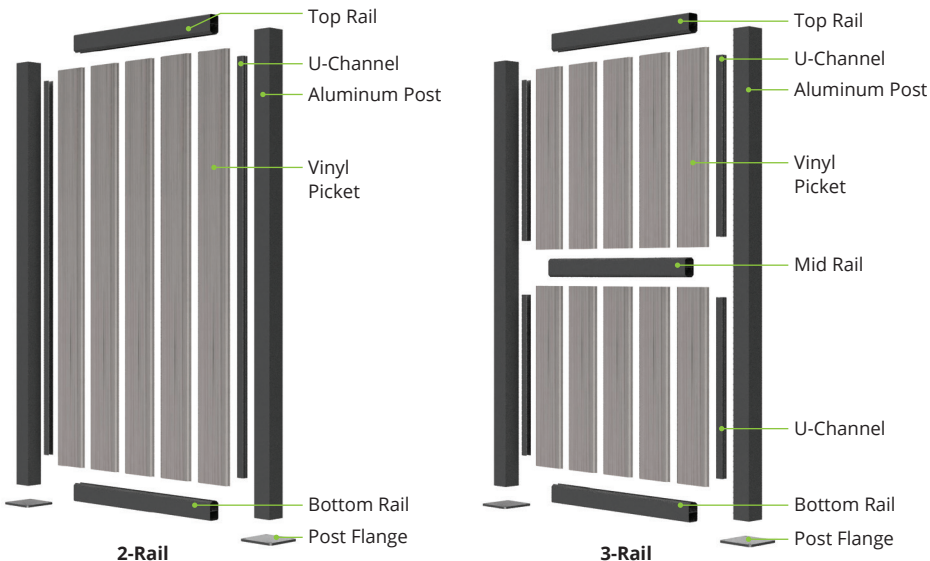


**These colors have extended lead times.
***Preferred colors for PrivacyGard products.

PRIVACYGard Vinyl Colors:

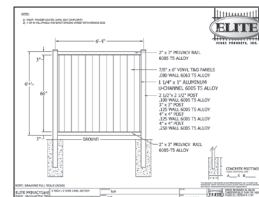


PRIVACYGard Hybrid Components:



PRIVACYGard Hybrid Resources:

Specifications, Drawings, Testing/Engineering, Brochure and Warranty



50925 Richard W. Blvd. | Chesterfield Twp., MI 48051
Phone (586) 468-4448 | Fax (586) 468-4884

1.800.783.1331 | www.EliteFence.com

EFR-05HYBRID-CTS: REV-B 0526